

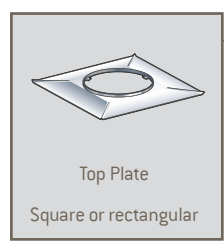


Key Benefits Using Condensor

- Exceptional value
- High quality
- Quick and easy to install
- 10 year AXA guarantee

SAFETY

Easy fixing Locking Band with safety closing ring gives you a secure pressure tight joint in between each components.



COMPATIBLE

Poujoulat offers a complete range of adaptors which ensure a perfect seal within the appliance.



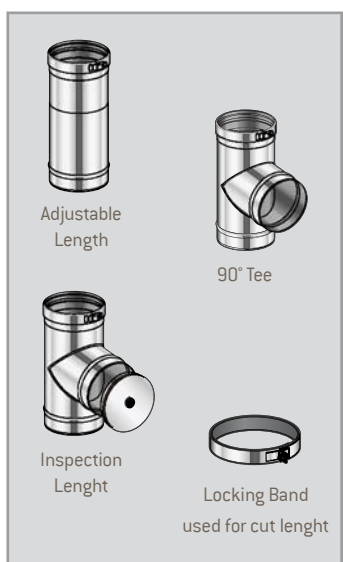
Condensor is listed by HETAS as a liner system for use with a solid fuel appliance when installed within an existing masonry chimney.



CONDENSOR

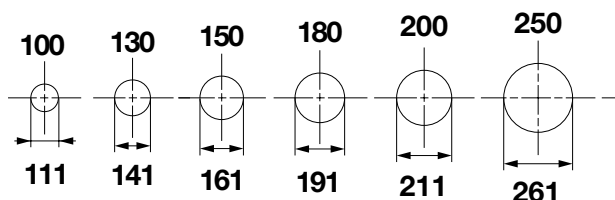
Single wall stainless steel flue pipe

Accessories



The **CONDENSOR** flue is a laser continuous welded single wall stainless steel pipe. When installed with a joint seal, it is pressure resistant and watertight to 200 Pa. It is suitable for all types of gas, oil, wood and coal-burning appliances, and especially perfect for all condensing appliances.

DIAMETERS



Other diameters **up to 600mm** available to order, please refer to [Condensor Commercial Range](#)

FINISHES AVAILABLE

RAL Colours



Painting is an additional **+ 30%** to the Condensor CD Price

PRINCIPLE FEATURES

- > **Wall material:** 316 stainless steel 0.4 mm thick (Ø80 to Ø150) and 0.6mm (Ø180 to Ø300).
- > **Max. Temperature limitation:**
 - > "Soot fire" tested at 1000°C.
 - > Operating temperature 450°C.
- > The Poujoulat cone on cone patented Condensor joint provides a 50 mm depth engagement, giving excellent performance.
- > Easy fixing locking band with safety closing ring pin with all components.
- > Production is performed under quality control of C.E.R.I.C (test and research centre of chimney industries) .
- > Full range of accessories. Lengths with inspection door available.

BENEFITS

- > **Lengths can be cut on site**
- > **High quality**
- > **Secure pressure tight joint**
- > **Easy to install**
- > **Easily meets regulation requirements**
- > **10 year guarantee**

Product certified : **BS EN 1856-1:2003**

CE 0071 CPD 014

Ø80 to Ø150:

T250 N1 W V2L50040 O50

T250 P1 W V2L50040 O50

Ø180 to Ø300:

T250 N1 W V2L50060 O50

T250 P1 W V2L50060 O50

Product certified : **BS EN 1856-2:2004**

CE 0071 CPD 025

Ø80 to Ø150:

T450 N1 W V2L50040 G

Ø180 to Ø300:

T450 N1 W V2L50060 G