

Your chimney for life

cheminées Poujoulat



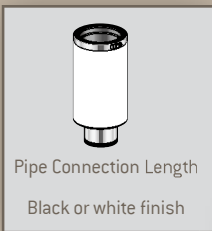
Finishes available to order



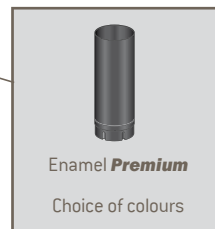
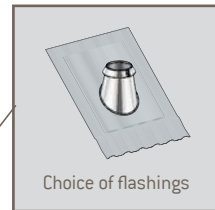
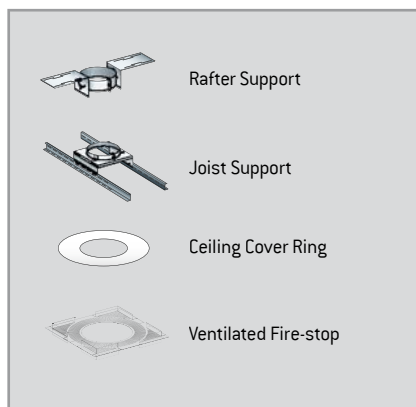
and many others ...

CONFORMITY

The Therminox twin wall chimney system and its range of accessories meets Building Regulations.



Accessories



Key Benefits Using Therminox

- Aesthetically pleasing
- High quality
- Quick and easy to install
- 10 year AXA guarantee

SAFETY

Soot fire tested at 1,000 °C, the Poujoulat twin wall system chimney guarantees safe resistance to temperature.



THERMINOX Twin Wall System Chimney

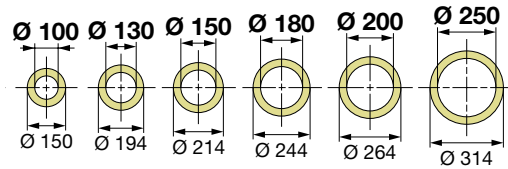
AESTHETIC

The «Pipe Connection Length» provides an attractive connection between the single wall flue pipe and the twin wall chimney.



THERMINOX -A high quality, multi-fuel, stainless steel twin wall insulated chimney system, available in TI for "external use" and ZI for "internal use". They are designed for use with all gas, oil, pellet, wood, coal and solid fuel appliances.

DIAMETERS



Other diameters **up to 600mm** available to order, please refer to [Therminox Commercial Range](#)

PRINCIPLE FEATURES

- > **Inner wall material:** 316 stainless steel 0.4 mm thick
- > **Outer casing:** Stainless steel 0.4 mm thick
- > **Max. Temperature limitation:**
 - > Soot fire tested at 1000°C
 - > Operating temperature 450°C
- > **Insulation:** High pressure injected mineral wool 30mm thick.
- > **Support:** Lateral (wall bracket) every 4 metres. Deadweight (wall support) every 16 metres. Freestanding up to 3 metres above last support.
- > **Aesthetics:** Recessed locking band
- > **Fire-stop arrangement:** See pages 48 [Solid fire-stop plate, tested & approved](#)
- > Full range of accessories: Elbows & lengths with inspection door available.
- > 4 hours fire rated to BS 476-20

BENEFITS

- > **Up to 3m freestanding above roof.**
- > **4m between guides.**
- > **Solid fire-stop plate.**
- > **Recessed locking band.**
- > **Aesthetically pleasing look.**
- > **Quick and easy to install.**
- > **Customer satisfaction.**
- > **Easily meets regulation requirements.**

FINISHES AVAILABLE

Aluzinc Outer ZI



Therminox ZI is - **20%** less than the Therminox TI Price

RAL Colours



Painting is an additional + **20%** to the Therminox TI Price

Copper Finish



Copper Finish is an additional + **40%** to the Therminox TI Price

Product certified: **BS EN 1856-1:2003**

CE 0071 CPD 011

T450 N1 W V2L50 040 G50

T250 N1 W V2L50 040 O20

T200 P1 W V2L50 040 O20

(with seal)